

Stock Code: **62237LEDD-BL**

Collection: Punch

PRODUCT INFORMATION

Base: 62237 Parent: 62237LEDD
Mounting Type: Wall UPC: 641594229028
Finish: Black
Diffuser: N/A

Project Name: _____

Location: _____

Type: _____

Quantity: _____

Notes: _____

PRODUCT MEASUREMENTS

FIXTURE	BACKPLATE / CANOPY
Length:	Length
Width: 8.25"	Width:
Diameter	Diameter:
Height: 12"	Height:
Extension: 3"	
Overall Height:	



TECHNICAL SPECIFICATIONS

SPECIFICATIONS

Frame Material: Metal
Diffuser Material: N/A
Lamping Type: SSL (Dedicated LED) Jbox: Standard
Lamping Base: SSL Lamp Wattage: 7 W
Lamp Quantity: 1 Total Wattage: 7 W
Voltage: 120v Lamps Included: Yes

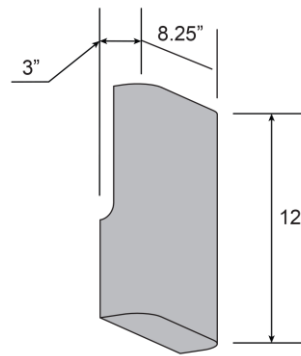
QUALIFICATIONS

Location Rating Dry
Certification: UL (US/Canada) Listed
ADA Compliant: Yes Energy Star: No
JA8 Compliant: No Emergency Lighting: No
Marine Grade: No Warranty: 5 Year

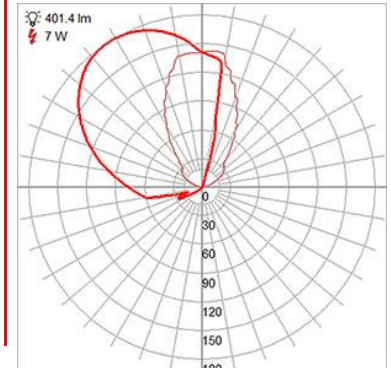
PHOTOMETRICS

Dimmable: Yes Nominal Lumens 560 Lm
CRI: 90 Delivered Lumens: 401 Lm
CCT: 3000K
Recommended Dimmers:
(MLV)COOPER Aspire 9530SW; (TRIAC)LEGRAND Titan CD703-PW; (ELV)LUTRON Skylark SELV-300P

LINE DRAWING



IES FILE



Additional Notes:

Custom Finish 100 Piece Minimum Order Quantity; Optional Color Temperature 100 Piece Minimum Order Quantity

In addition to Access Lighting's purchase and warranty terms and conditions, by signing below or placing an order, you agree that you are authorized to bind the entity placing any order and acknowledge the following: All of sizes and measurements are approximate and all images are for illustrative purposes only. In the event of an inconsistency, the "Product Measurements" section controls. There also may be slight differences in the colors and designs compared to the displayed and printed images.

Signature: _____

Print Name _____ Date: _____

Toll Free 800-828-5483 www.AccessLighting.com

14410 Myford Road, Irvine, CA 92606

The information is subject to change without notice. 12/15/2022 62237LEDD-BL.pdf

